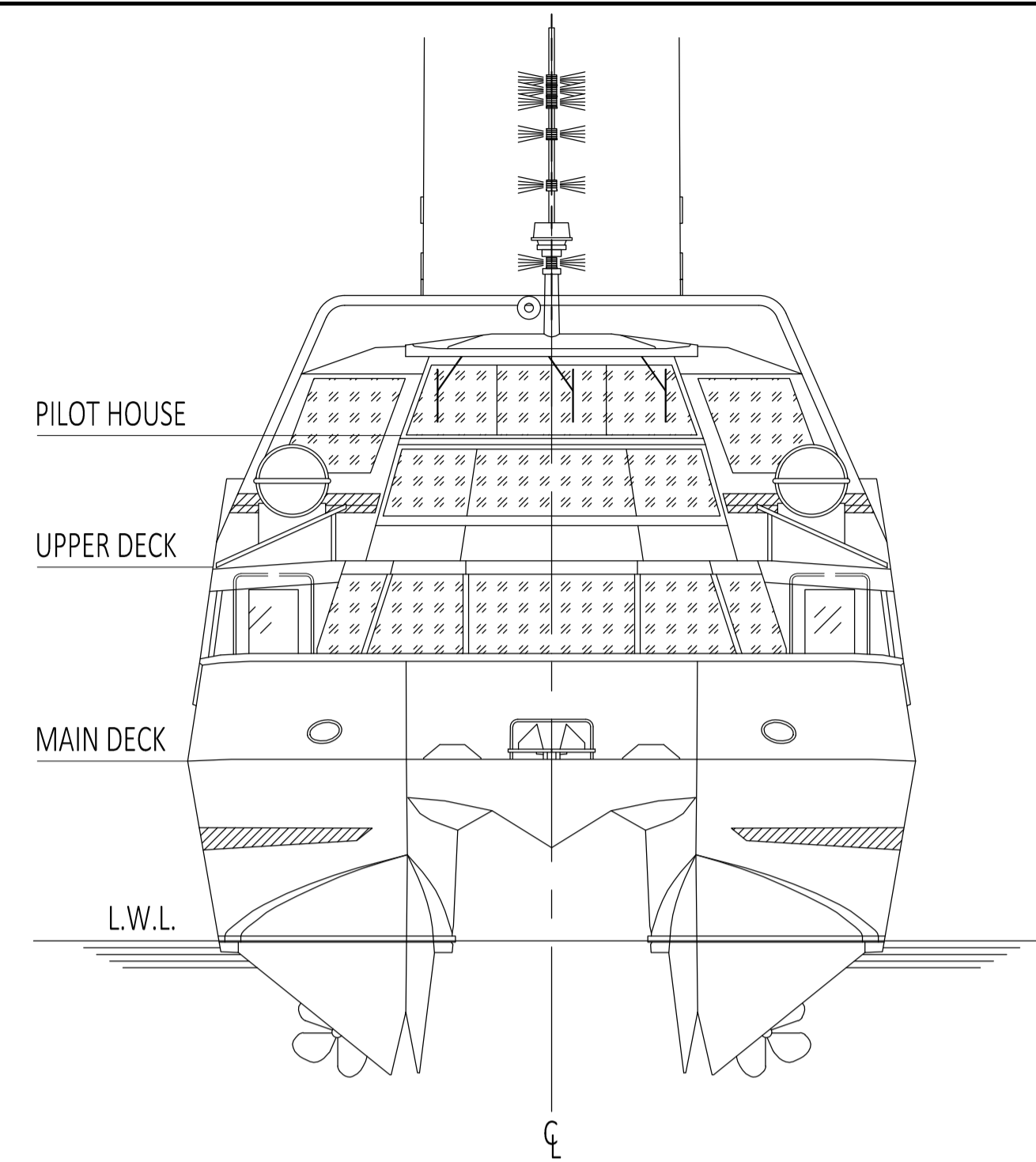
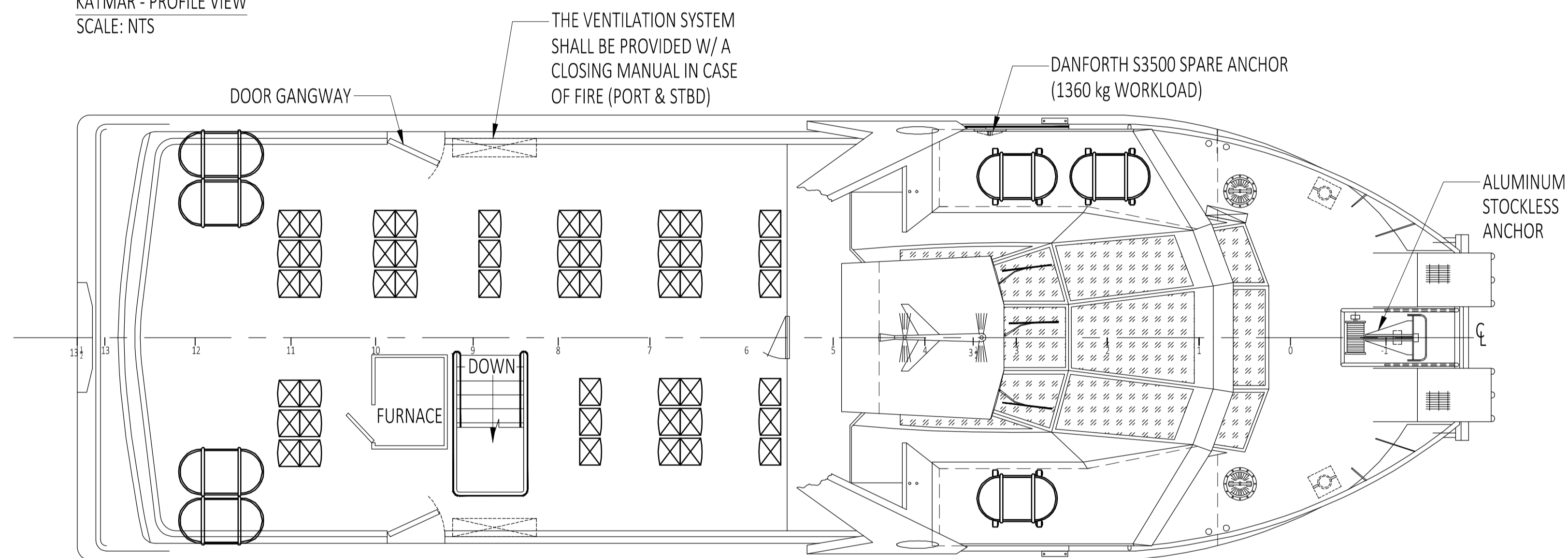


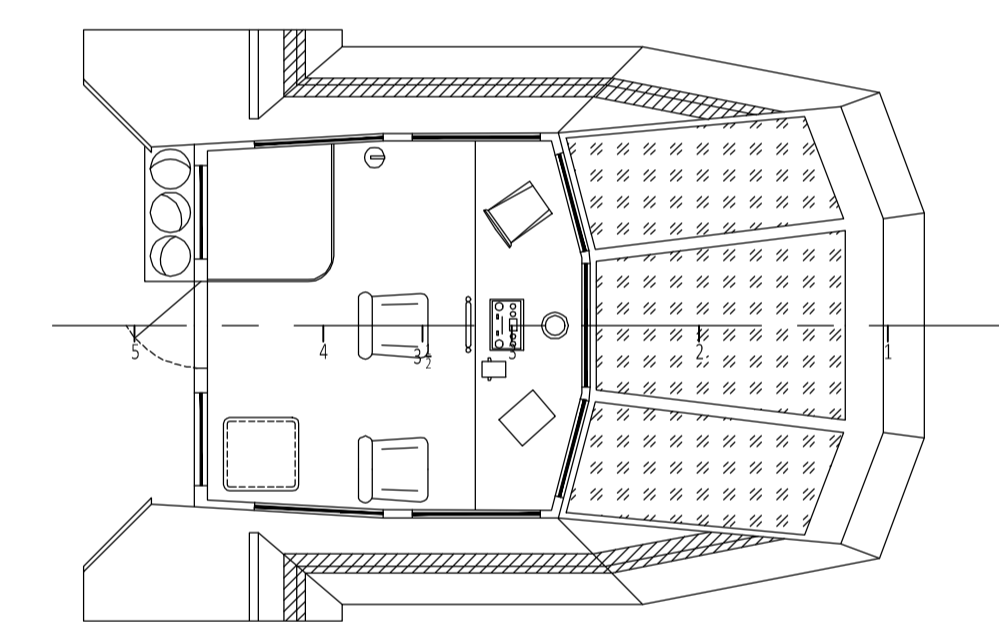
KATMAR - PROFILE VIEW
SCALE: NTS



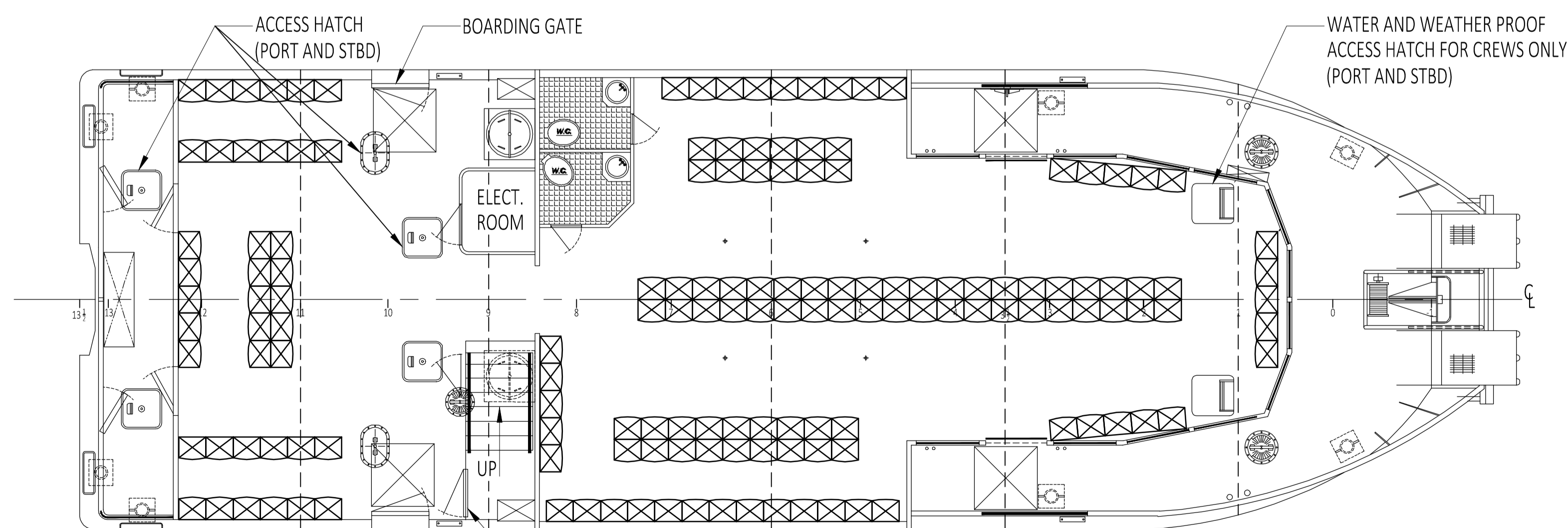
KATMAR - FRONT VIEW
SCALE: NTS



UPPER DECK - PLAN VIEW
SCALE: NTS



PILOT HOUSE - PLAN VIEW
SCALE: NTS




MAIN DECK - PLAN VIEW
SCALE: NTS

MAIN PARTICULARS

LENGTH O.A.	23.33 m	76.55 ft
BREADTH	7.32 m	24.00 ft
DEPTH	3.13 m	10.25 ft

REV. NO.	REVISION NOTES	REVISED BY	CHECKED BY	DATE
00	PRELIMINARY DRAWING	MAX AGUILAR	LEO AZIZI	Oct.18.2014
NO.	NOTES	DRAWN BY	CHECKED BY	DATE

MCKEIL MARINE LTD.
HAMILTON
1-800-454-4780



THIS DRAWING IS THE PROPERTY OF MCKEIL MARINE LTD. REPRODUCTION AND USE OF THE CONTAINED INFORMATION IS PROHIBITED.
CE DESSIN EST LA PROPRIETE DE MCKEIL MARINE LTD. REPRODUCTION ET USAGE DE L'INFORMATION SUR CE DESSIN SONT INTERDITS.

CONCEPT DESIGN
NOT FOR CONSTRUCTION

Re-produced Katmar General Arrangement

CLIENT: MCKEIL MARINE FLEET OPERATIONS

DRAWN BY: Max Aguilar	CHECKED BY: Leo Azizi	PROJECT NO.: 207
DRAWING NO.: 207-02-00	SHEET NO.: 1 OF 1	SCALE: AS NOTED